

**THE LR33020 "GRAPHX" PROCESSOR:
A MIPS-RISC BASED GRAPHICS PROCESSOR
FOR X-TERMINALS**

*Sanjay Desai
MIPS-DIVISION, LSI LOGIC CORP.*

AGENDA

- **Technical Design Goals**
- **Target Applications**
- **Feature Overview**
- **Example X-Terminal Systems using LR33020**
- **Performance**
- **Summary**

TECHNICAL DESIGN GOALS

Design a Solution for High-End, Low-Cost, Graphics Control Applications that:

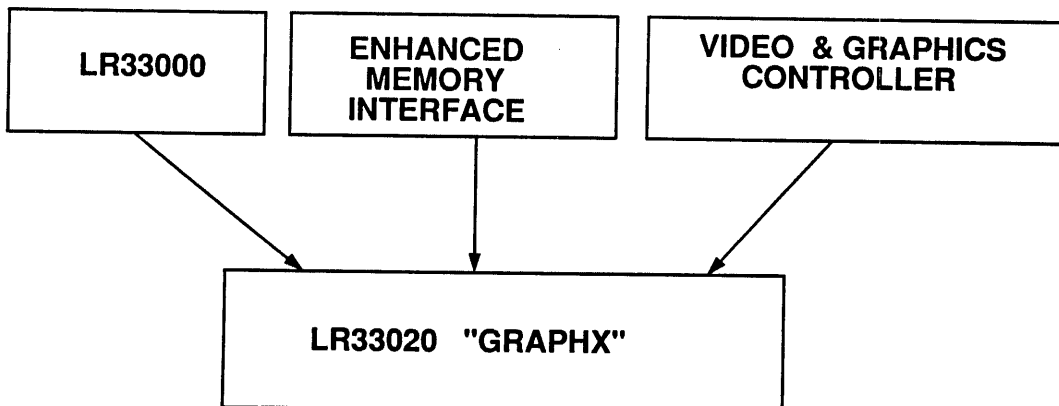
- Retains the Strengths of the MIPS Architecture:
 - High Performance over Several Applications
 - Usage of the MIPS Compilers and Development Tools
- Builds Upon the Advantages of the LR33000 Implementation:
 - High Integration and Minimal System Cost
 - Simple System Design
- And Adds Value (for Graphics Applications & X-Terminals) by:
 - Integrating Graphics and Video Control Functions
 - Providing Increased Bandwidth to Memory
 - Tightly Coupling the CPU and Graphics H/W to Minimize Overhead

*low-end
2D graphics
applications*

*R3000 MIPS 1
compatible*

LSI LOGIC

CONCEPTUALLY "GRAPHX" IS:



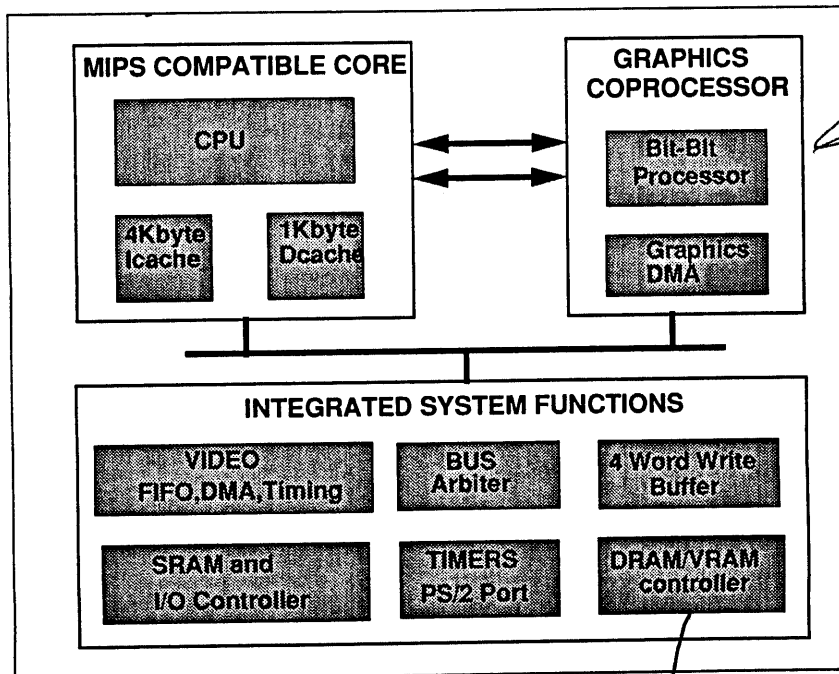
TARGET APPLICATIONS

- X-Window Terminals *← primary application*
- Laser Printers
- PC Graphics Add-In Cards
- Work Station Frame Buffer Controllers
- High Performance Plotters and Printers

LSI LOGIC

224 PIN PGA
208 PIN MQAD

LR33020: SIMPLIFIED BLOCK DIAGRAM



IMPLEMENTATION

CP 2

EMPHASIS ON CPU

LSI LOGIC

64-50 PPGA

3.2.3

FEATURE OVERVIEW

- **Modified LR33000 Functionality:**
 - R3000 Compatible CPU Core
 - 4K Byte Instruction Cache and 1K Byte Data Cache
 - Two Counter/Timers
 - 4 Deep Write Buffer
- **Graphics and Video Support:**
 - Dedicated Bit Blit Coprocessor (BBCP)
 - Flexible Video Timing Generation
 - Video Data FIFO for DRAM Based Frame Buffer - can double as h/w cursor storage for VRAM based Frame Buffer systems
 - 4 DMA Channels for Pixel Moves and Display Refresh

LSI LOGIC

FEATURE OVERVIEW (contd.)

- **Enhanced Memory Interface:**
 - Direct Support of Interleaved DRAM (64 bit datapath to external memory)
 - VRAM Support
 - Direct Interface to 8 bit PROMs
 - Minimizes External Programmable Devices
 - 4 Independent Regions with Programmable Wait State Generation

BIT BLIT COPROCESSOR (BBCP)

- Implemented as MIPS Coprocessor2:

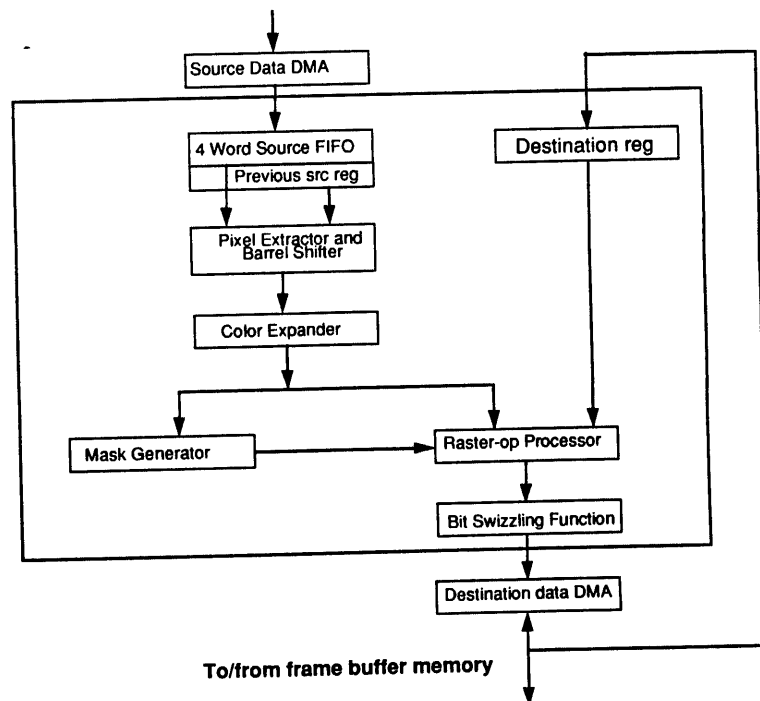
Uses Coprocessor Instructions: MTC2, MFC2, SWC2, LWC2
for Transfers Between BBCP Registers, CPU Registers, and Memory

Uses newly defined Coprocessor 2 instructions for sequencing pixel data
through the bit-bit datapath

- Performs Source to Destination Data Moves with Bit Alignment
- 16 Function Logical Unit
- Supports Color Expansion for Efficient Font Bit Maps
- Hardware Support for Bitmap Transparency
- Supports Various Pixel Sizes: 1, 2, 4, 8, 16, 32 Bits
- Utilizes Two DMA Channels to Control Bit Block Transfers
- BBCP Data is not Cached
- BBCP Data Utilizes Burst Mode Write Bypassing Write Buffer

LSI LOGIC

BBCP DATAPATH



LSI LOGIC

BBCP INSTRUCTIONS

- Utilizes Cop 2 "Draw and Step" Instructions: SSTEP, WSTEP, BSTEP, SBSTEP
- Control Data Transfers through BBCP
- Each Step Instruction Moves 1 or 4 Words
- DMA Channel Does Address Generation, DRAM Controller Handles Execution
- Pipelined Operation Enables Optimizing Performance:

Three Step Instructions Can Be Present in COP2 Pipeline
without Stalling CPU

LSI LOGIC

BBCP INSTRUCTIONS (contd.)

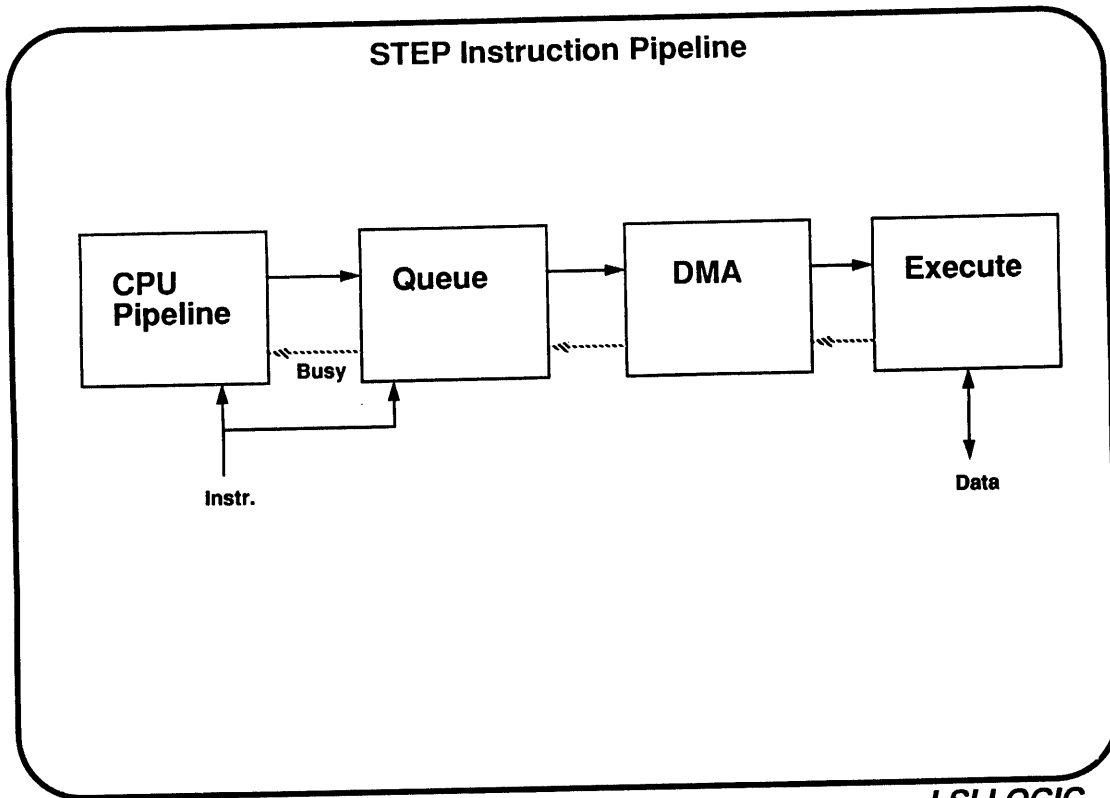
SSTEP : Steps to the next word in the Source queue. If queue empty initiate another DMA fetch of the source pixel data

WSTEP: Write the processed pixel word back to the current destination location

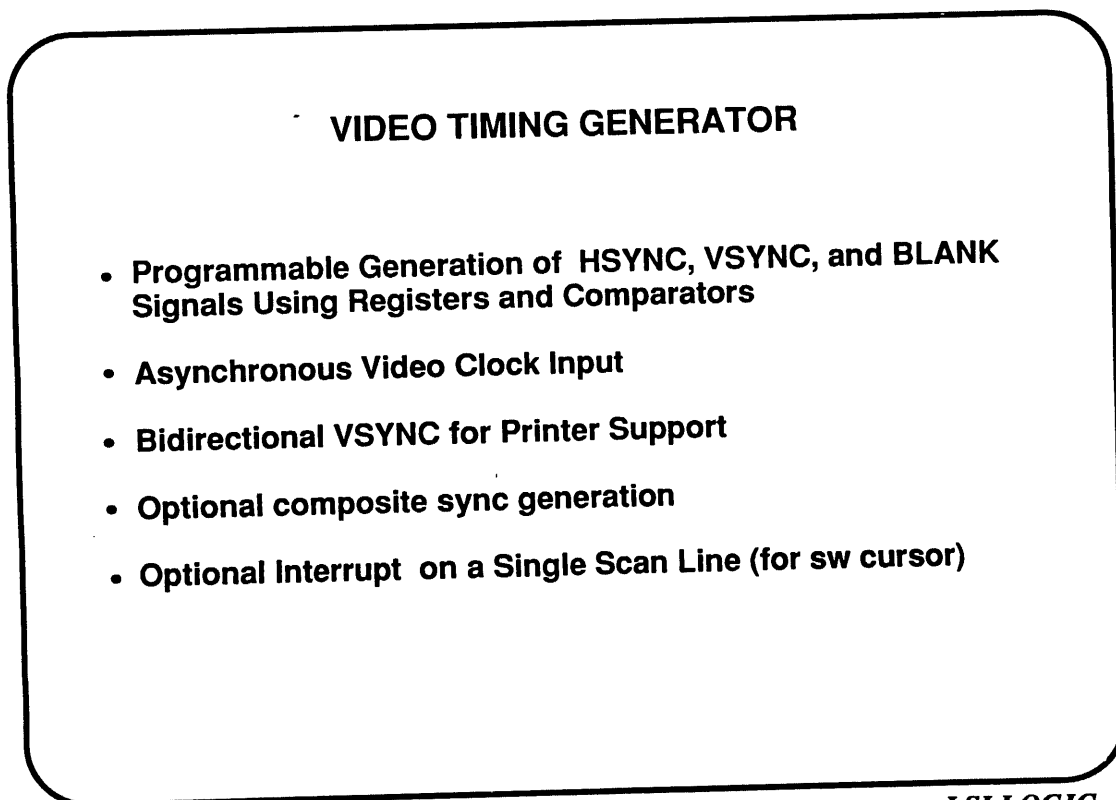
BSTEP: Step to the beginning of next destination line and write the processed pixel word

SBSTEP: Clears the source queue, step to the beginning of next source line and initiate another DMA fetch of source pixel data

The WSTEP and BSTEP instrs have optional flags to take care of boundary conditions and special VRAM functions (eg. block write)



LSI LOGIC



LSI LOGIC

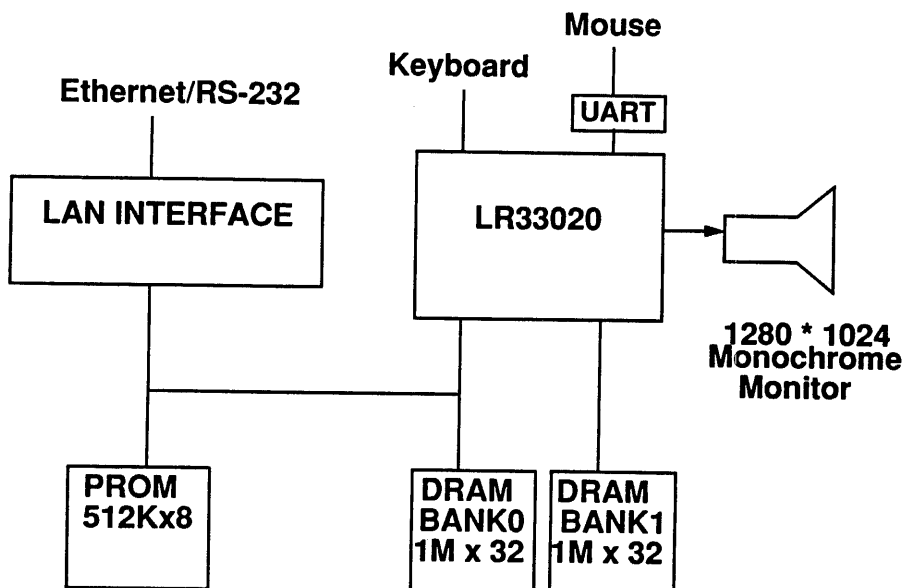
VIDEO FIFO

- 32 by 32 Bit FIFO and Video Shifter
- Targeted at Low Cost DRAM only Based Systems for:
 - High Resolution Monochrome Displays
 - Medium Resolution Color Displays
 - High Resolution Monochrome Laser Printers
 - High Resolution Color Laser Printers
- DMA Controller Transfers Blocks of Refresh Data to FIFO from DRAM to Minimize Bus and CPU Overhead
- Serial Data Output: 1, 2, 4, 8 Bits/Clock Period
- Implements 64*64*2 Hardware Cursor in VRAM Based Systems

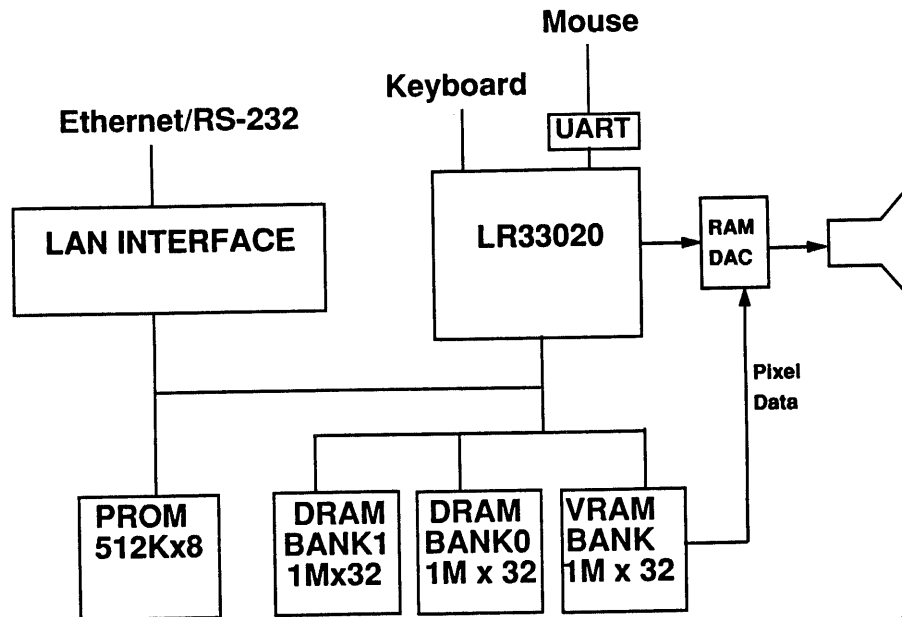
*NO VRAMS FOR
CMT systems*

LSI LOGIC

LR33020 Based MONOCHROME X-TERMINAL SYSTEM



LR33020 Based COLOR X-TERMINAL SYSTEM



LSI LOGIC

Performance

<u>Object (Kobj/sec)</u> (8 bit/pixel system)	<u>LR33020</u> 33mhz	<u>Magnum</u> 33mhz	<u>DECCfb</u> 33mhz	<u>DECSfb</u> 33mhz	<u>HP</u> 66mhz
10x10 Solid FILL	147	39	88	145-213	278
10x10 Stippled FILL	101 ^a /140 ^b	22.6	34	96-155	136
10x10 Opaque st. FILL	105	34.9	31	96-129	136
10x10 COPY	55.4	10.3			
100x100 Solid FILL	8.5	1.78			
100x100 Stippled FILL	1.751	.767			
100x100 COPY	2.1	1.0			

a: without VRAM block write

b: using VRAM block write

LSI LOGIC

PHYSICAL CHARACTERISTICS

Frequency: 25, 33, and 40MHz Versions
Package Styles: 208 Pin MQUAD and 224 Pin CPGA
Power: 2.5W at 25MHz to 4.0W at 40MHz
Technology: LCB007 (0.7u l-effective), 2 layer metal, std. cell
Transistors: ~500,000

*10 SAMPLE SIZE
OF INTEGRATION*

LSI LOGIC

SUMMARY OF FEATURES

- Targeted For High-End, Low-Cost, Graphics Controller Applications
- High Integration: CPU+I/D Cache+Timers+Memory Controller+Graphics+Video
- Software Compatible with R3000
- Graphics Extensions Provided By Coprocessor Instruction Set
- Directly Interfaces with VRAMs, Interleaved DRAMs, SRAMs, 8 Bit PROMs
- 25MHz, 33MHz, and 40MHz Versions
- Single 1X Clock Input
- Reduced Power Consumption: 2.5W at 25MHz
- Implemented in 1 Micron Drawn, Cell Based Technology: LCB007