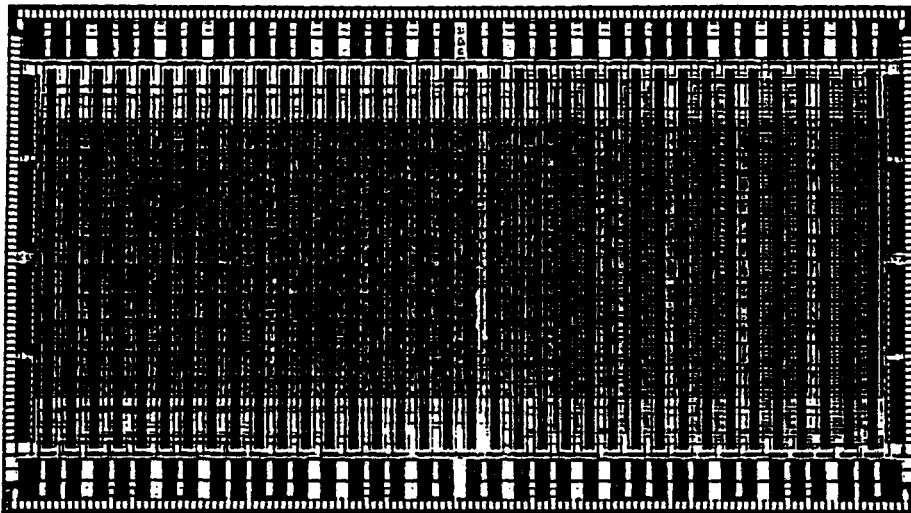


A GaAs 200 Mbps 64 x 64 Crosspoint Switch

0613911gcRC

VITESSE

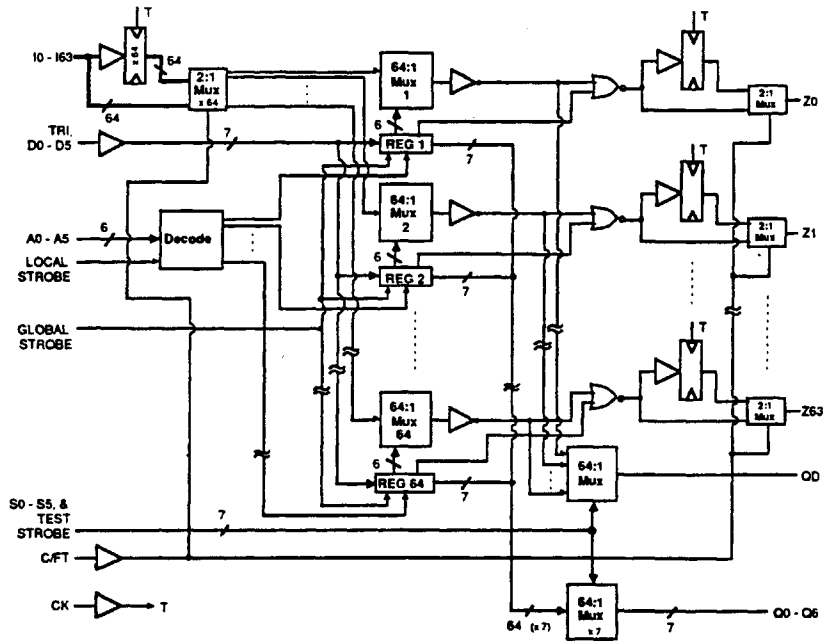
The VSC864



0613912gcRC

VITESSE

Functional Diagram



VITESSE

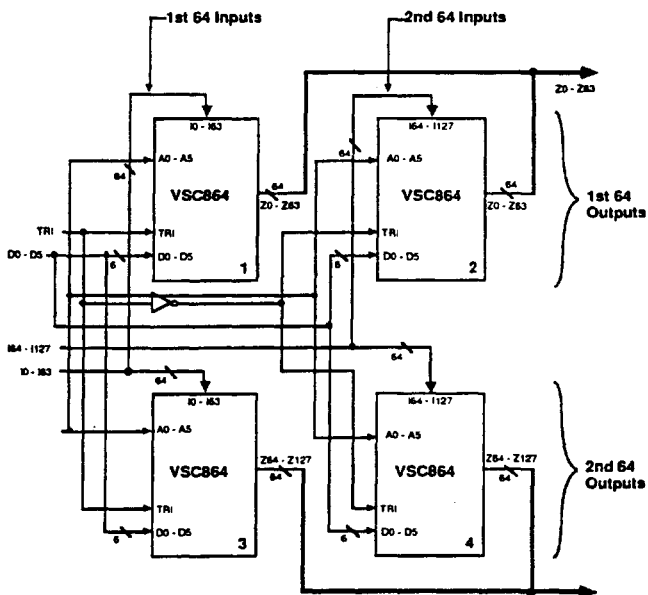
0613913gcRC

Features

- Superior Performance: 200 Mb/s
- Duty-cycle Distortion @ 200Mb/s: 10%
- Operating Range: -40° to +85° C
- Power Dissipation: 8 Watts (Typical)
- Clocked or Flow-through Operation
- ECL F100K Compatible Inputs and Outputs
- Output to Output Skew: < 1500 ps
- Output Drive Capability: 25Ω
- Single Power Supply: -2 V ± 5%
- Package: 344-pin Ceramic LDCC
- Full Diagnostic Monitors
- Cascadable to Larger Systems

VITESSE

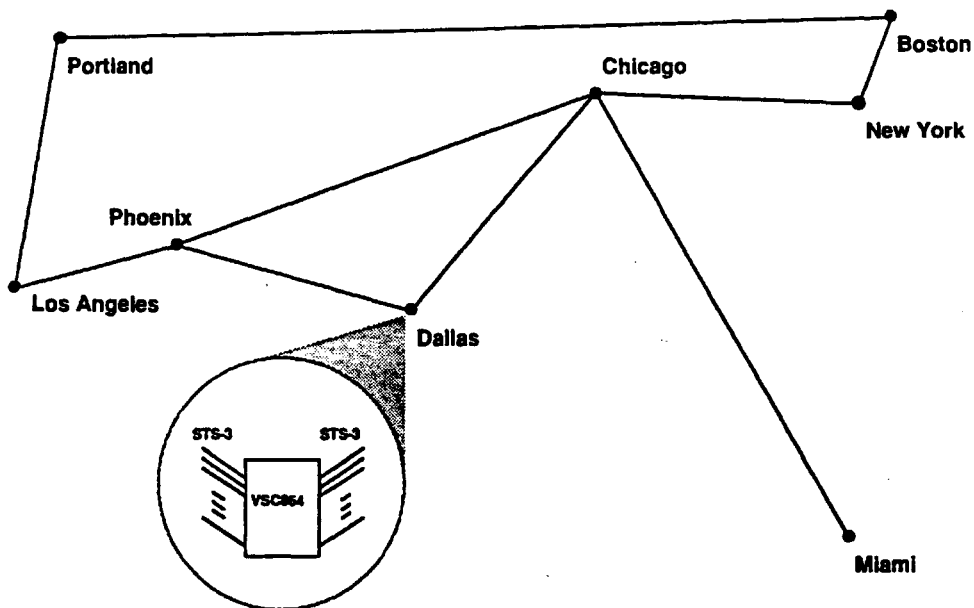
Expandability



VITESSE

0613915gcRC

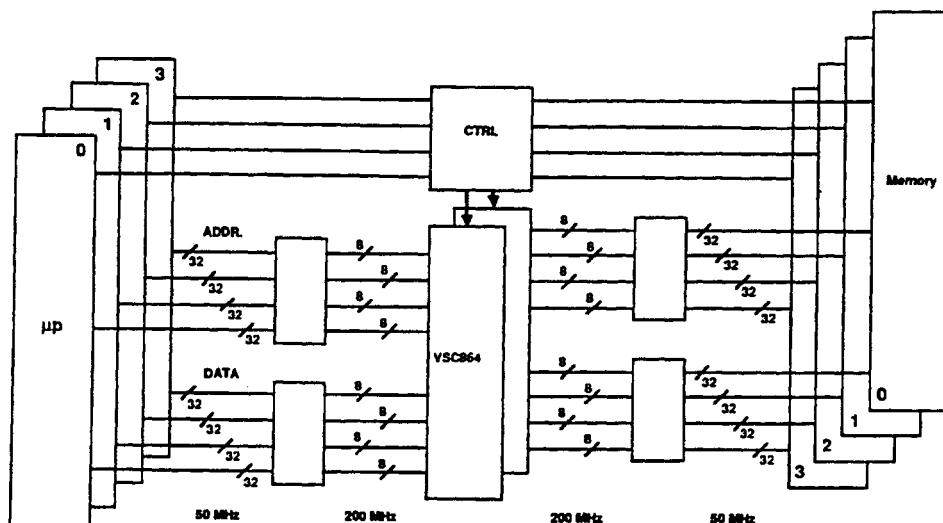
Typical Application: Telecommunications



VITESSE

0613918gcRC

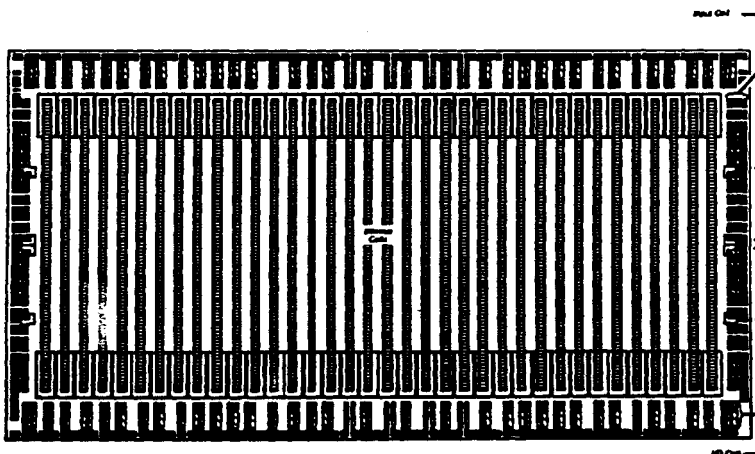
Typical Application: Multiprocessor Interconnect



VITESSE

0613917gcRC

FURY™ 30K Gate Array: VSC30K

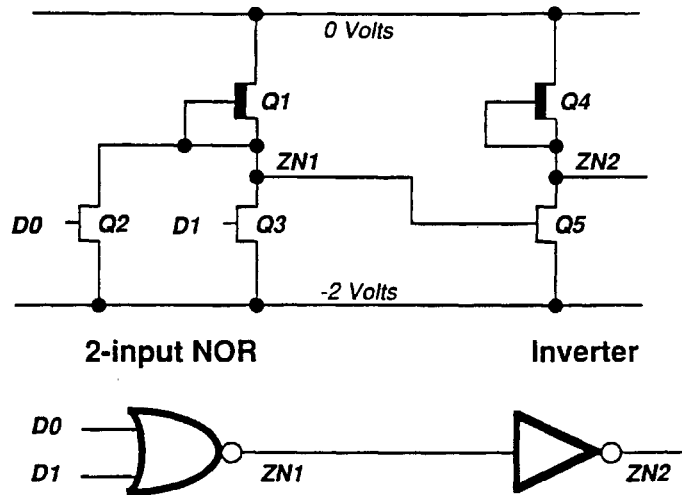


- 2-Input Gates..... 30,528
- D Flip-flops..... 2,520
- I/O Cells..... 156
- Input Only Cells..... 100
- Total I/O..... 256
- I/O Types..... TTL, ECL, GaAs
- High Drive Inputs..... 8
- Typical Power*..... 6.5 W
- Worst Case Power*..... 10.6 W
- Die Size..... 13.8 mm x 7.7 mm
- Package..... 344 LDCC

* at 80% utilization

VITESSE

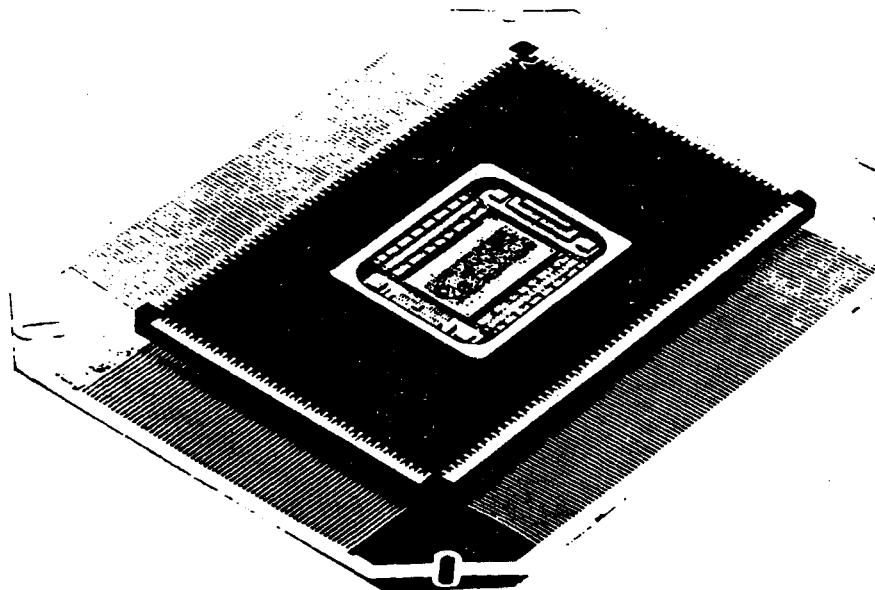
DCFL 2-input NOR and Inverter



VITESSE

0613919gcRC

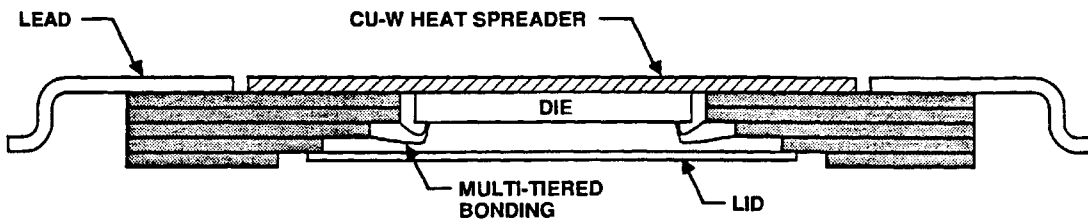
The VSC864 in a 344 Pin Ceramic LDCC Package



VITESSE

06139110gcRC

Package Construction



VITESSE

06139111gcRC

Summary

- VSC864 – 64x64 Crosspoint
- 200 Mbps
- High Yield H-GaAs II Technology

VITESSE

5.6

06139112gcRC